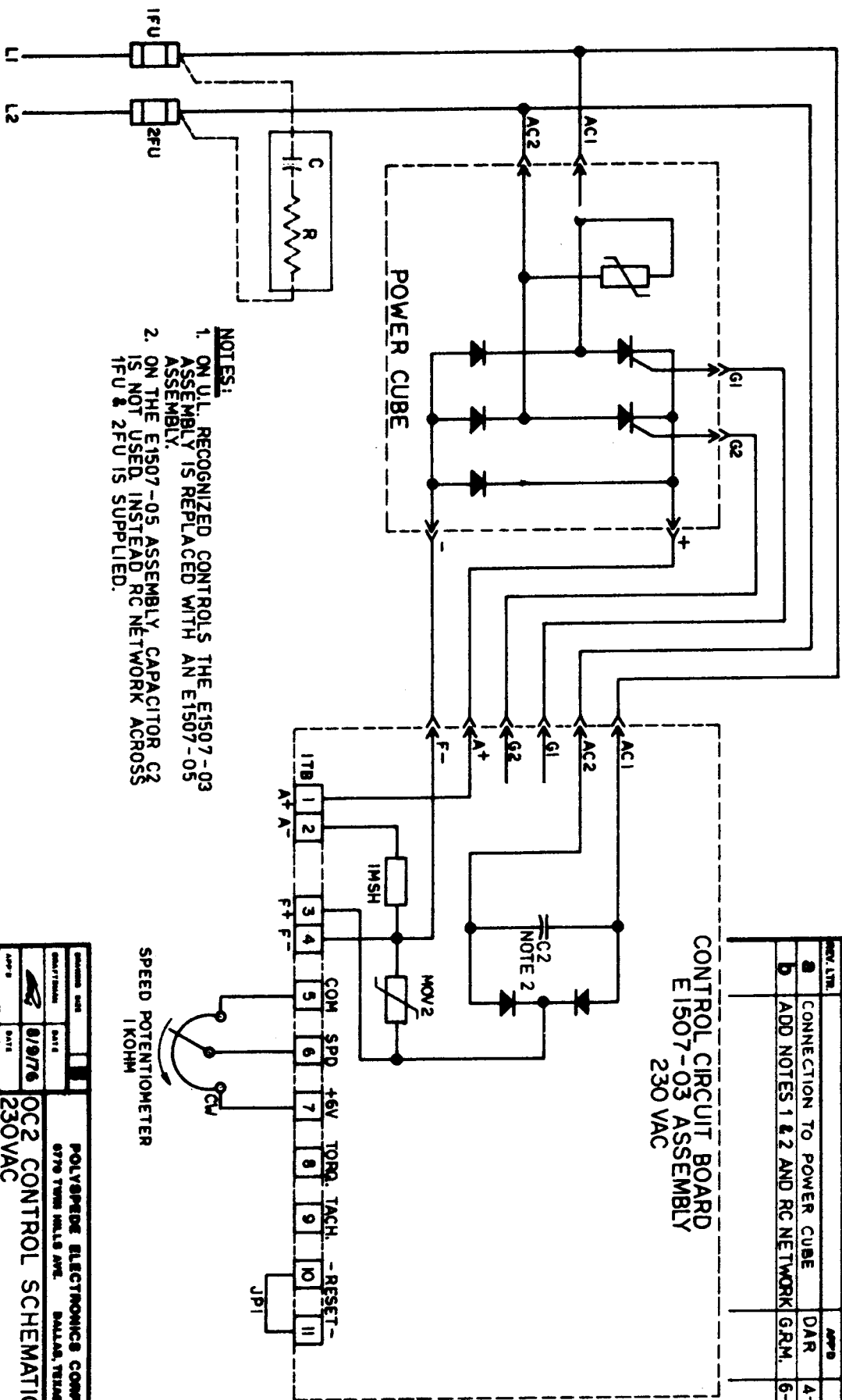


REVISIONS

REV. LTR.	DESCRIPTION	APP'D.	DATE
a	CONNECTION TO POWER CUBE	DAR	4-1-77
b	ADD NOTES 1 & 2 AND RC NETWORK	G.R.M.	6-10-80

CONTROL CIRCUIT BOARD  
E1507-03 ASSEMBLY  
230 VAC



POWER CUBE

- NOTES:
1. ON U.L. RECOGNIZED CONTROLS THE E1507-03 ASSEMBLY IS REPLACED WITH AN E1507-05 ASSEMBLY.
  2. ON THE E1507-05 ASSEMBLY CAPACITOR C2 IS NOT USED, INSTEAD RC NETWORK ACROSS 1FU & 2FU IS SUPPLIED.

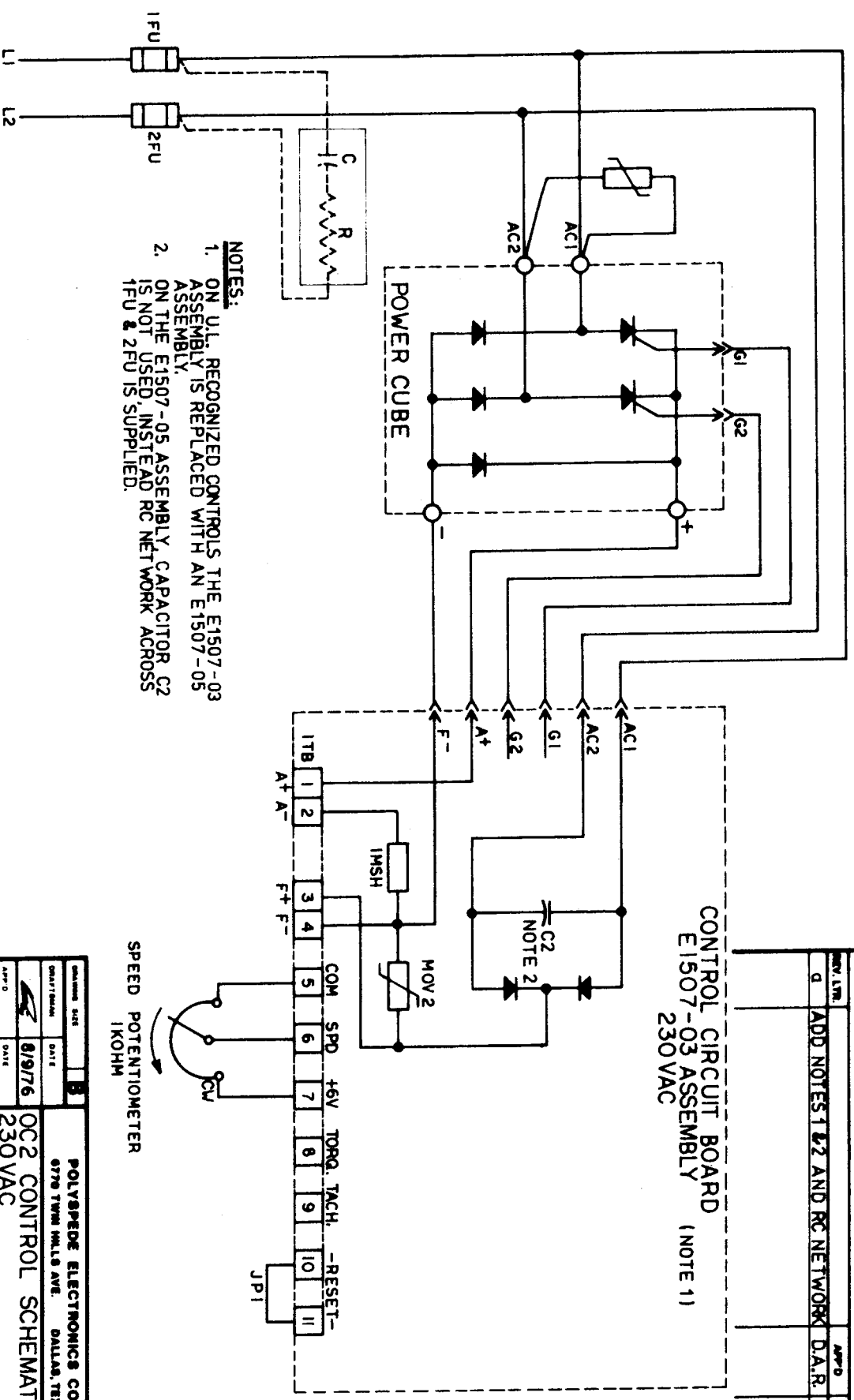
SPEED POTENTIOMETER  
1 KOHM

DESIGNED BY	DATE	POLYSPED ELECTRONICS CORP. 8776 TRUMB HILLS AVE. DALLAS, TEXAS
DESIGNED BY	DATE	
APP'D.	DATE	OC2 CONTROL SCHEMATIC 230VAC 1/4 THRU 2HP
APP'D.	DATE	
DATE		SCALE
DATE		SCALE

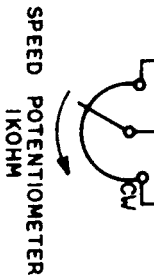
AI404-000-ES, b

REV. LTR.	DATE	APP'D.	D.A.R.
d	6/3/80		

CONTROL CIRCUIT BOARD  
E1507-03 ASSEMBLY  
230 VAC (NOTE 1)

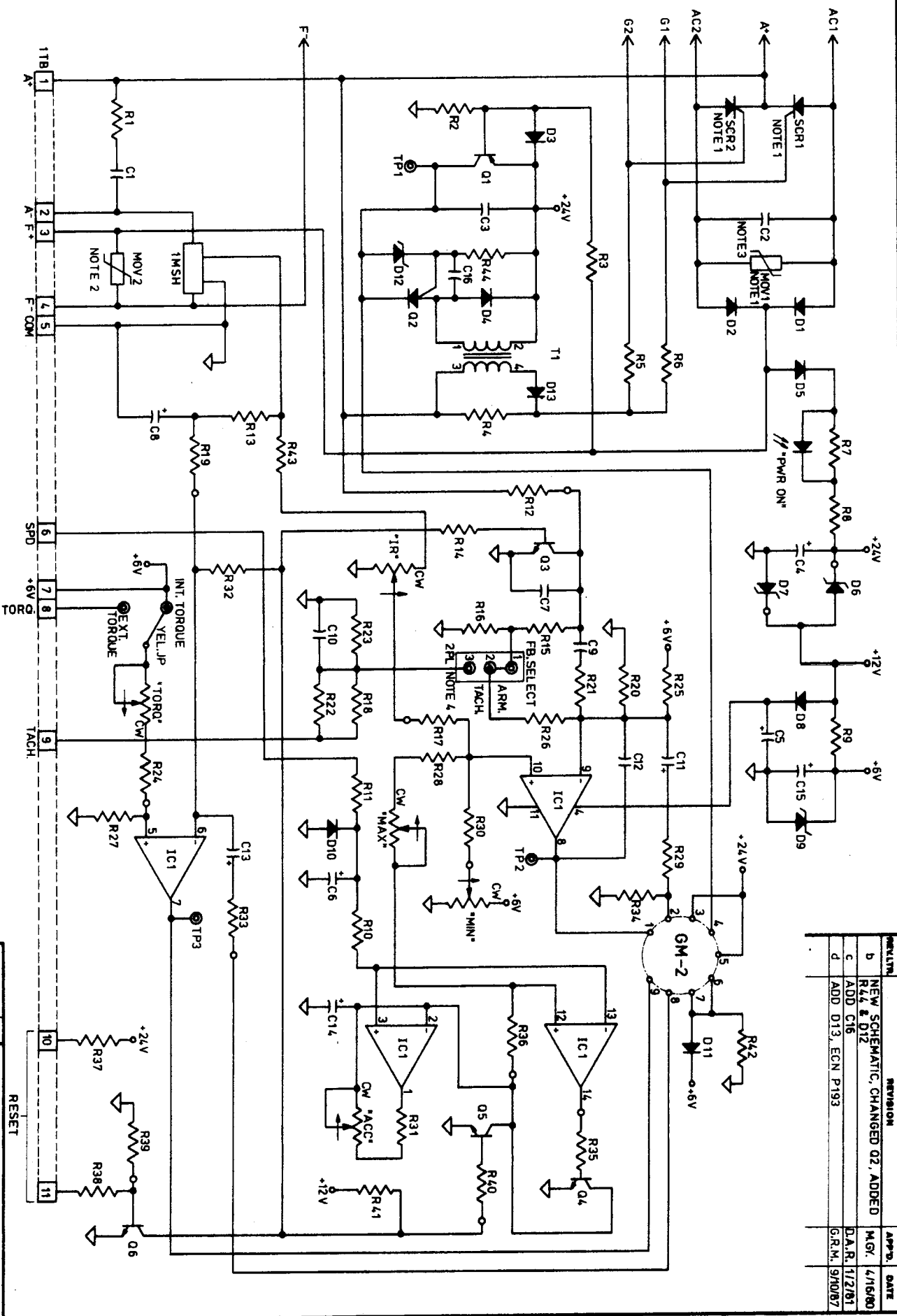


- NOTES:
1. ON U.I. RECOGNIZED CONTROLS THE E1507-03 ASSEMBLY IS REPLACED WITH AN E1507-05 ASSEMBLY.
  2. ON THE E1507-05 ASSEMBLY CAPACITOR C2 IS NOT USED, INSTEAD RC NETWORK ACROSS 1FU & 2FU IS SUPPLIED.



WORKING SIZE	8	POLYSPED ELECTRONICS COMP.
DATE	6/9/76	8776 TWIN HILLS AVE. DALLAS, TEXAS
APP'D.		OC2 CONTROL SCHEMATIC
DATE		230 VAC
		3 HP
MATERIAL		REVISION NO.
		A1405-000-ES,d

REV./LTH	REVISION	APP'D.	DATE
b	NEW SCHEMATIC, CHANGED Q2, ADDED R44 & D12	M.G.V.	4/16/80
c	ADD C16	D.A.R.	1/22/81
d	ADD D13, ECN P193	G.R.M.	9/30/87



**FIGURE 11**

4. FOR ARMATURE VOLTAGE FEEDBACK PINS 1 AND 2 ON ZPL ARE JUMPED TOGETHER. FOR TACHOMETER FEEDBACK PINS 2 AND 3 ON ZPL ARE JUMPED TOGETHER.

**NOTES:**

- MOV1, SCR1 & SCR2 ONLY SUPPLIED ON THE -01 ASSEMBLY. THEY ARE NOT SUPPLIED ON OTHER ASSEMBLIES.
- MOV2 ONLY SUPPLIED ON THE -03 & -05 ASSEMBLIES.
- CAPACITOR C2 NOT SUPPLIED ON -05 AND -06 ASSEMBLIES.

**RESISTOR SCALE**

RESISTOR SCALE	SCALE
RESISTOR SCALE	SCALE

**BOARDS, P.C. BOARD CONTROL CIRCUIT SCHEMATIC**

**POLYPERD ELECTRONICS CORP.**  
6770 TYNN WILDS AVE. DALLAS, TEXAS

**DATE** 4/16/80  
**APP'D.** M.G.V.  
**REV.** b